



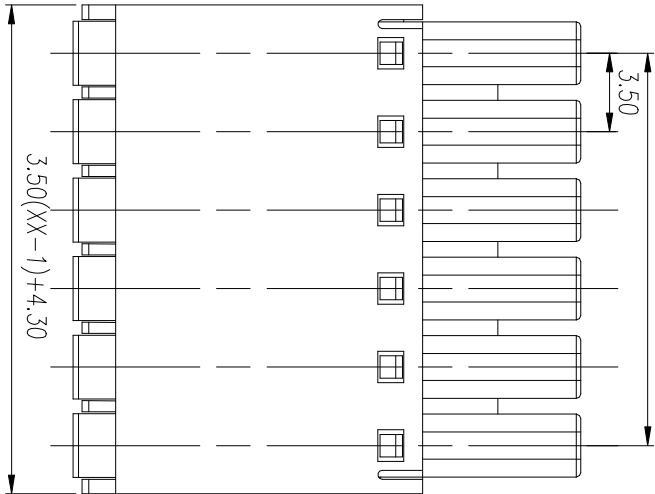
慈溪市万捷电子有限公司

CIXI WANJIE ELECTRONIC CO., LTD

REVISION RECORD

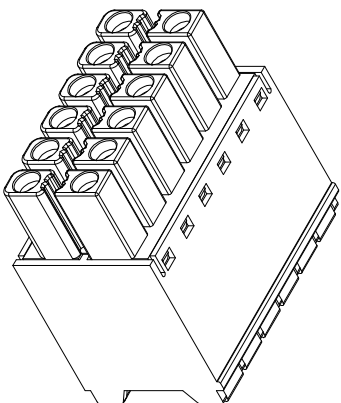
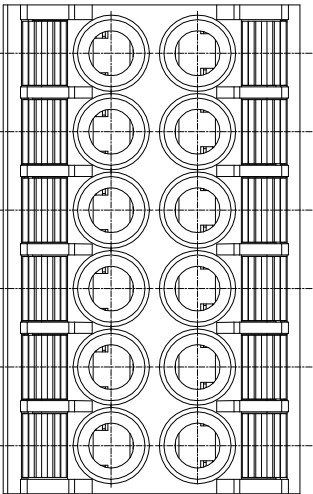
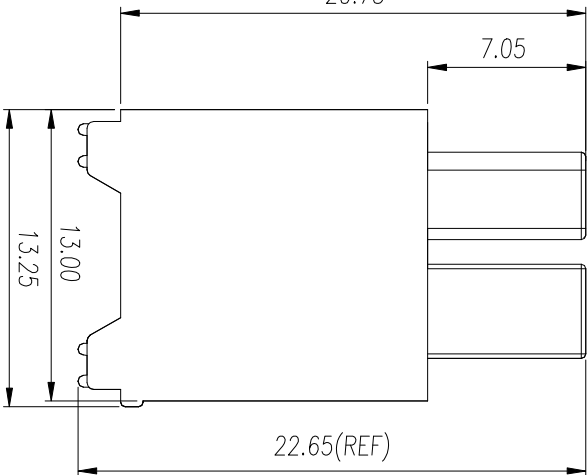
REV.	DESCRIPTION	ECN No.	APPROVED	DATE

3.50(XX-1)



20.75

7.05



UL/CUL 技术参数		cULus			
UL/CUL Technical Data		B	C	D	
等级	Use Group	B	C	D	
额定电压	Rated Voltage	V	300	-	300
额定电流	Rated Current	A	8	-	8
接线范围	Wire Range	24-16			
单/多芯线	Solid/Stranded	[AWG]			
耐压	Withstanding Voltage	1600V/1Min			
IEC 技术参数		IEC61984			
IEC Technical Data		IEC61984			
过电压类别	Overvoltage Category	III	III	II	
污染等级	Contamination Class	3	2	2	
额定电压	Rated Voltage	V	160	160	250
额定电流	Rated Current	A	8	8	8
额定冲击电压	Impulse withstand voltage	[kV]	2.5	2.5	2.5
导线截面积	Conductor cross section	[mm ²]	0.2-1.5		
硬质/柔性导线	Solid/flexible				
材料	Material	PA66			
绝缘材料	Insulation Material	UL94V-0			
阻燃等级	Inflammability	UL94V-0			
导体材料	Contact Material	铜合金 Copper alloy			
导体表面镀层	Contactive Coating	镀锡 Sn Plated			
一般参数 Other Data					
间距	Pitch / 极数	Poles	[mm] / [P]	3.51/202-224	
剥线长度	Stripping Length	[mm]	9-10		
螺丝	Screw/扭矩	Torque(Max)	[N.m]	-	
工作温度	Operating temperature	[°C]	-40~105		
焊接温度	Soldering temperature	[°C]	-		
引脚/尺寸	Pin Dimensions	[mm]	-		
PCB孔径	PCB Hole Diameter	[mm]	-		

linear dimension(Tolerances Standard GB/T 14486-2008)

tolerance	±0.20	±0.30	±0.50	±0.70	±1.00	±1.30	±1.60	0.10	0.30	0.60
variable range	6 to 10	10 to 30	30 to 60	60 to 100	100 to 160	160 to 100	10 to 100	10 to 100	10 to 100	100 to 100

单位 / UNITS mm 尺寸 / SIZE A4 比例 / SCALE 3:1

第二视图/THIRD ANGLE PROJECTION

版本 / REV V0



慈溪市万捷电子有限公司
CIXI WANJIE ELECTRONIC CO., LTD

名称 / TITLE WJ15EDGKNH-3.5*2XXP-1YY-00A