



# 慈溪市万捷电子有限公司

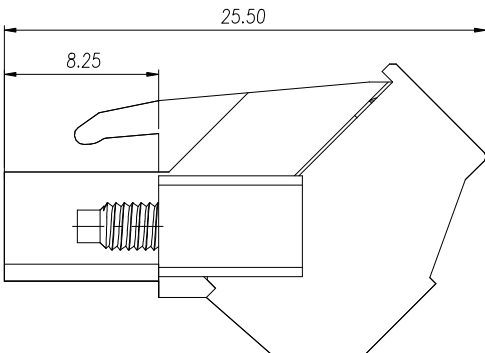
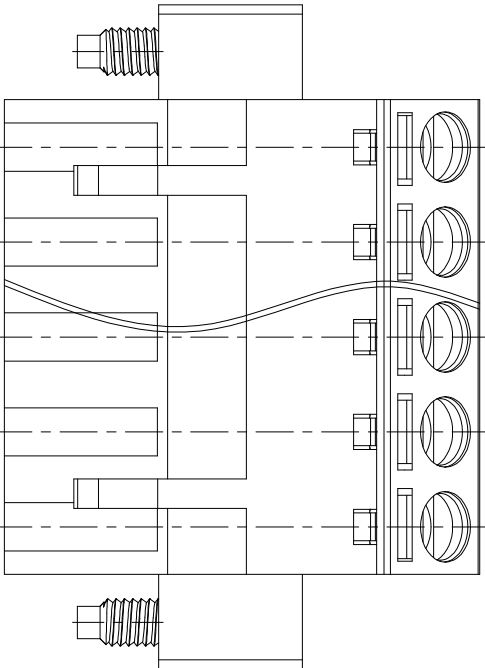
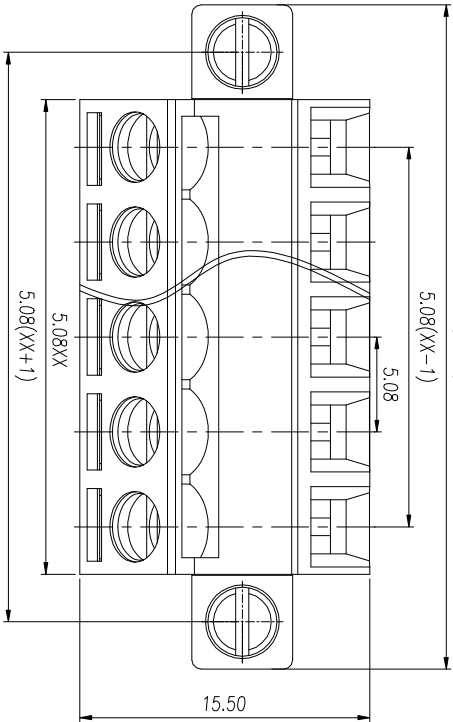
## CIXI WANJIE ELECTRONIC CO., LTD

### REVISION RECORD

REV.	DESCRIPTION	ECN No.	APPROVED	DATE

5.08(XX+2)

5.08(XX-1)



UL/CUL 技术参数

UL/CUL Technical Data	B	C	D
等级 Use Group	B	C	D
额定电压 Rated Voltage [V]	300	-	300
额定电流 Rated Current [A]	15	-	10

接线范围 Wire Range	28-12
单/多芯线 Solid/Stranded [AWG]	28-12
耐压 Withstanding Voltage	1600V/1Min

IEC 技术参数

IEC Technical Data	III	III	II
过电压类别 Overvoltage Category	III	III	II
污染等级 Contamination Class	3	2	2
额定电压 Rated Voltage [V]	250	320	630
额定电流 Rated Current [A]	12	12	12

额定冲击电压 Impulse withstand voltage [kV]	4.0	4.0	4.0
导线截面 Conductor cross section [mm <sup>2</sup> ]	0.2-1.5		
导线材质 Solid/flexible	0.2-1.5		

材料 Material	P466
绝缘材料 Insulation Material	UL94V-0
阻燃等级 Inflammability	铜合金 Copper alloy
导体材料 Conductor Material	镀镍 Ni Plated
导体表面涂层 Contactive Coating	

一般参数 Other Data	
间距 Pitch / 极数 Poles [mm]/[P]	5.08 /02-24
引线长度 Shipping Length [mm]	7.8
螺丝 Screw/扭矩 Torque(Max) [N.m]	M3.0/5
工作温度 Operating temperature [°C]	-40~105
焊接温度 Soldering temperature	-
引针/尺寸 Pin Dimensions [mm]	-
PCB板孔径 PCB Hole Diameter [mm]	-

linear dimension(Tolerances Standard GB/T 14486-2008)

tolerance	±0.20	±0.30	±0.50	±0.70	±1.00	±1.30	±1.60	0.10	0.30	0.60
variable range	6 to 10	10 to 30	30 to 60	60 to 100	100 to 160	160 to 250	250 to 500	10 to 100	10 to 100	100 to 250

单位 / UNITS mm 尺寸 / SIZE A4 比例 / SCALE 5:2

慈溪市万捷电子有限公司



CIXI WANJIE ELECTRONIC CO., LTD

第三视图/THIRD ANGLE PROJECTION 版本 / REV V0

名称 / TITLE WJ2EDGKLM-5.08-XXP-1YY-00A